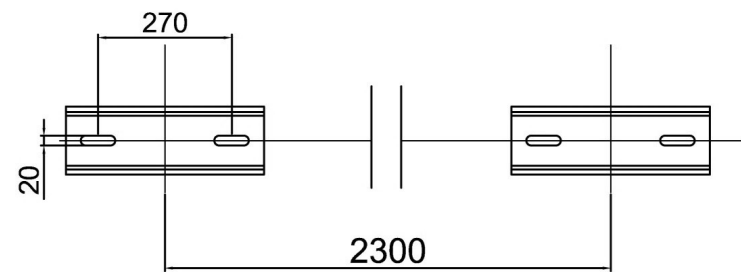
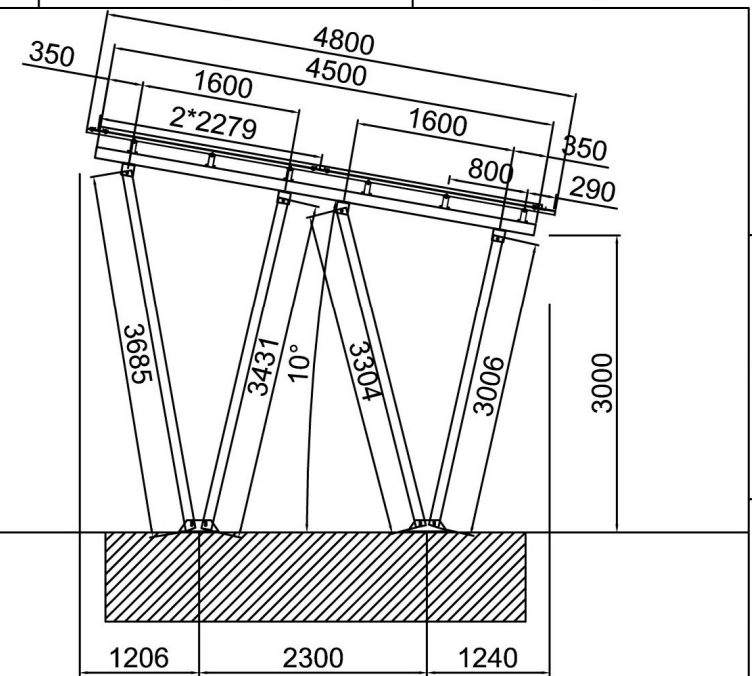
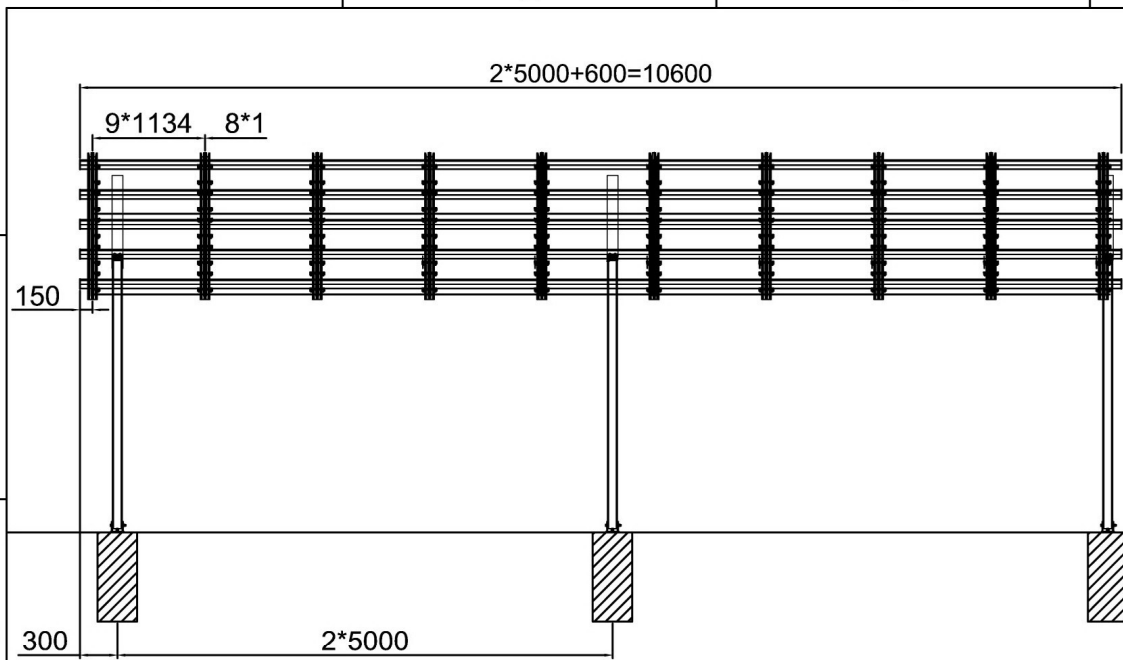


NOTES:

1. Panels Size: 2279x1134x35mm
2. Wind Load: 35m/s
3. Snow Load: 1.5kN/m²
4. Install angle: 10°

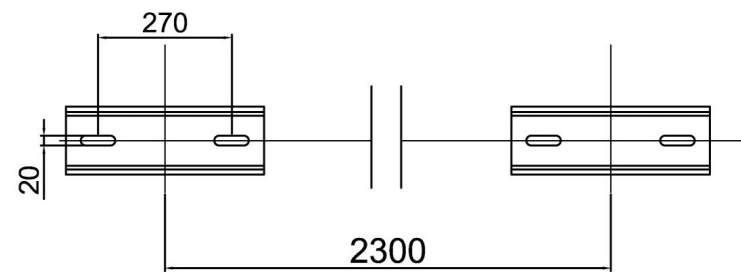
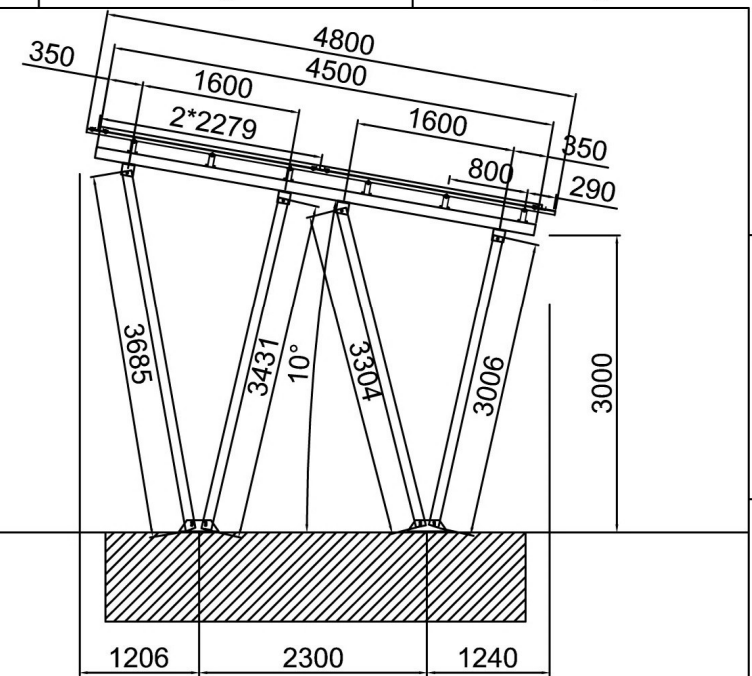
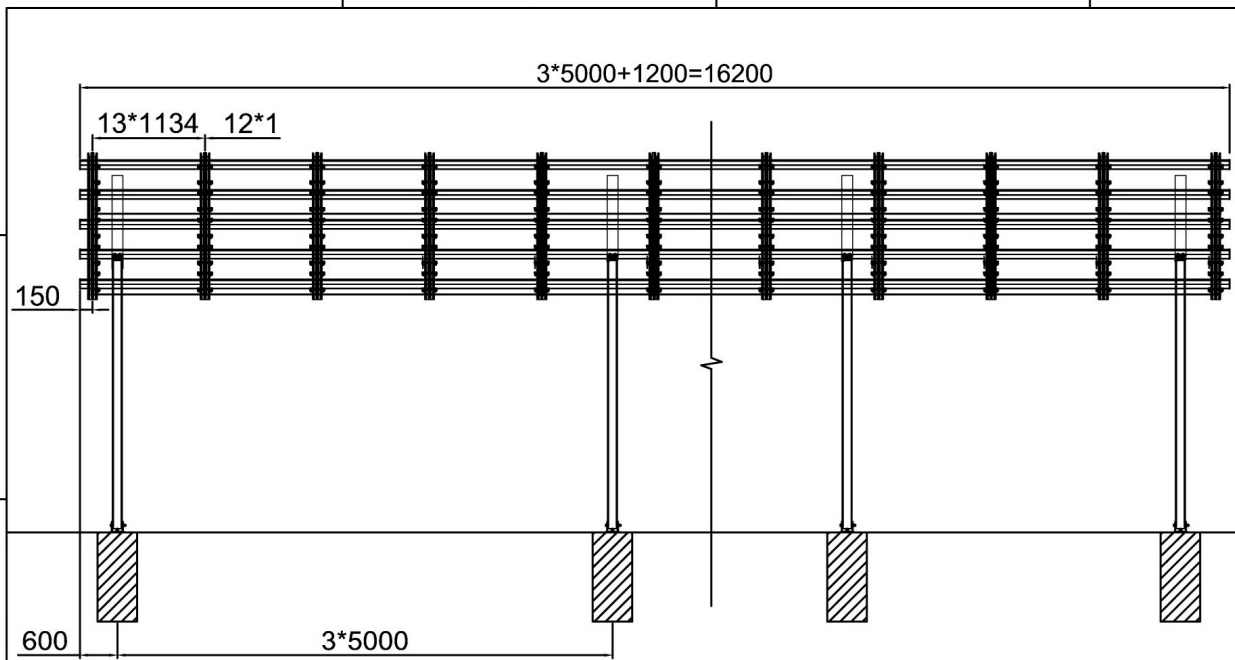
Dwg No.		Array	2*5	Version	V1.0
Design		Chk'D		Appv'D	
				View	☐ ⊙
				Scale	1:1
				Unit	mm



NOTES:

1. Panels Size: 2279x1134x35mm
2. Wind Load: 45m/s
3. Snow Load: 1.5kN/m²
4. Install angle: 10°

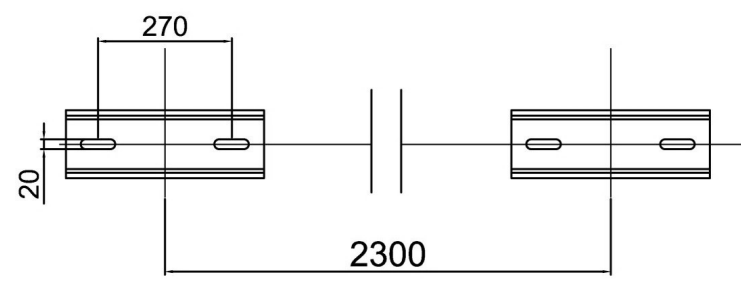
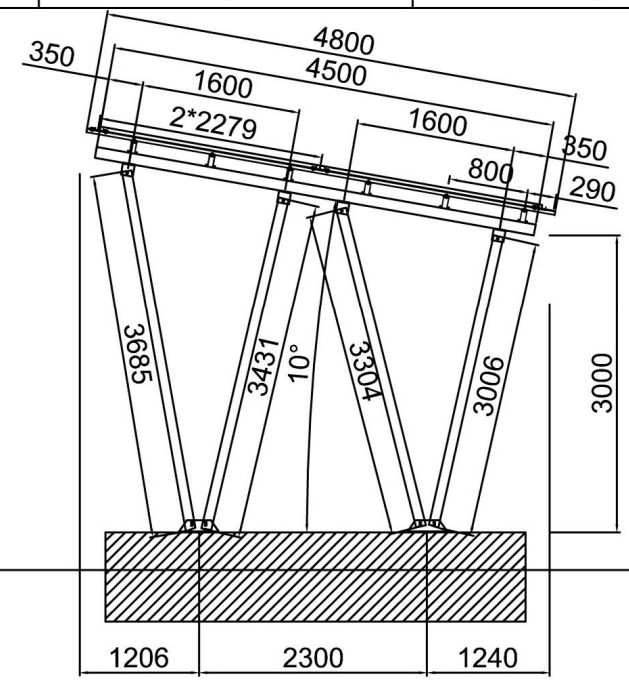
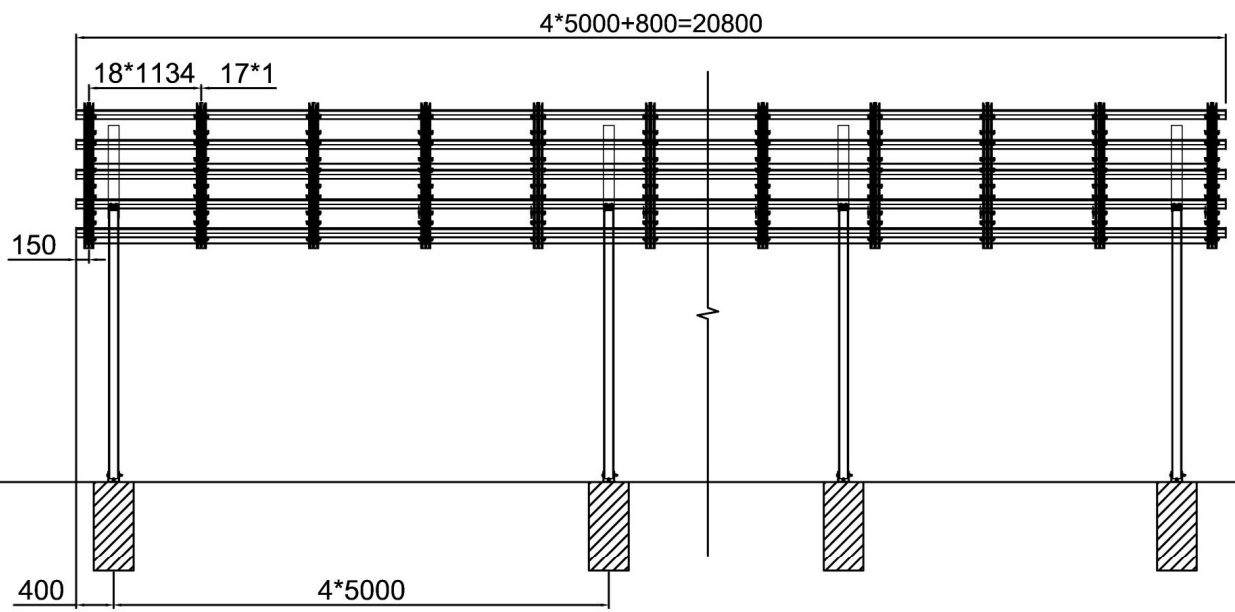
Dwg No.		Array	2*9	Version	V1.0
Design		Chk'D		Appv'D	
				View	☐ ⊙
				Scale	1:1
				Unit	mm



NOTES:

1. Panels Size: 2279x1134x35mm
2. Wind Load: 45m/s
3. Snow Load: 1.5kN/m²
4. Install angle: 10°

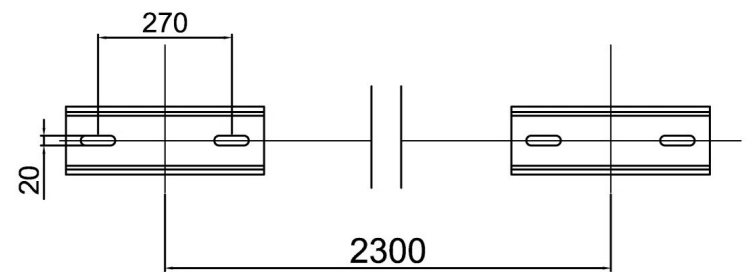
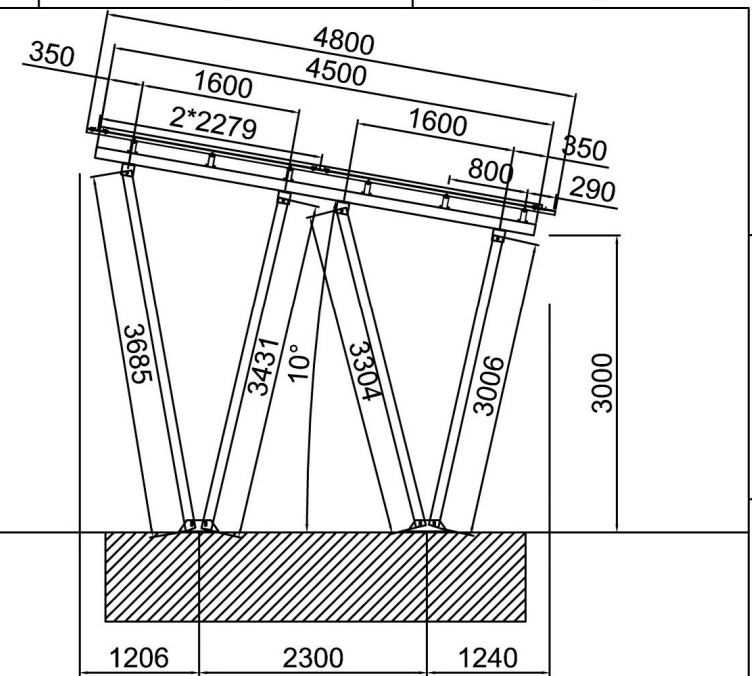
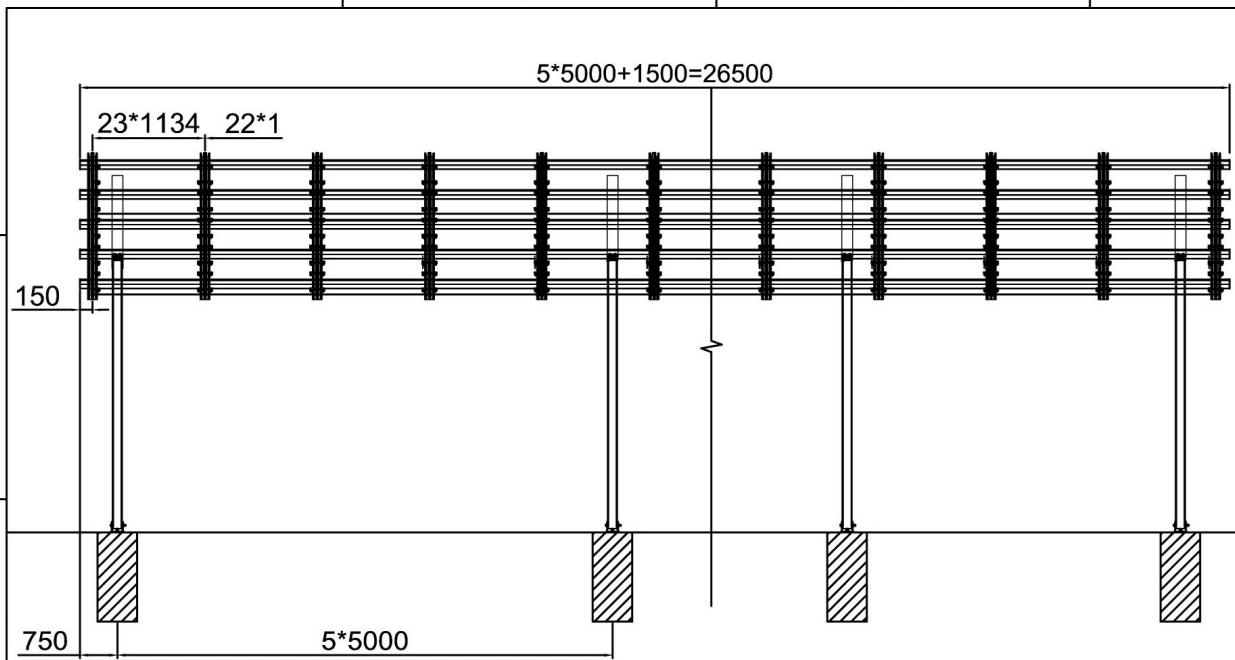
Dwg No.		Array	2*13	Version	V1.0
Design		Chk'D		Appv'D	
				View	☐ ⊙
				Scale	1:1
				Unit	mm



NOTES:

1. Panels Size: 2279x1134x35mm
2. Wind Load: 45m/s
3. Snow Load: 1.5kN/m²
4. Install angle: 10°

Dwg No.		Array	2*18	Version	V1.0
Design		Chk'D		Appv'D	
				View	☐ ⊙
				Scale	1:1
				Unit	mm



NOTES:

1. Panels Size: 2279x1134x35mm
2. Wind Load: 45m/s
3. Snow Load: 1.5kN/m²
4. Install angle: 10°

Dwg No.		Array	2*23	Version	V1.0
Design		Chk'D		Appv'D	
				View	☐ ⊙
				Scale	1:1
				Unit	mm